

# It's a Girl! Set

What a sweet heirloom: Gift this precious, yet easy-care baby outfit to the next lucky newborn on your list.

BY CRISTINA MERSHON

## What You'll Need

### YARN

RED HEART LusterSheen, 4 oz/113g balls, each approx 335yd/306m (acrylic)

- 1 ball #007 Vanilla

**Note** One ball is sufficient to make one jacket of either size and one hat.

### CROCHET HOOK

- Size D/3 (3.25mm) crochet hook or any size to obtain correct gauge

### NOTIONS

- 3 buttons, .25"/6mm diameter OR 1 yard ribbon, .25–1"/6–25mm wide
- Stitch markers
- Yarn needle

Skill Level: EASY



the yarn



LusterSheen in Vanilla

### SIZES

**Jacket** 0–3 months (6–12 months)

**Hat** 0–9 months

### FINISHED MEASUREMENTS

**Chest** 16.5 (18)"/42 (45.5)cm

**Length** 9 (11)"/23 (28)cm

**Hat Circumference** 14"/35.5cm, hat stretches to fit

### GAUGE

22 sts = 4"/10cm and 14 rows = 4.75"/12cm in yoke pattern

2 (9-dc) fans = 3"/7.5cm and 12 rows = 4"/10cm in body pattern.

*Remember to check gauge for best results!*

### HOW TO MAKE A GAUGE SWATCH

Ch 23.

**Row 1 (WS)** Sc in second ch from hook and in each remaining ch across—22 sc.

**Row 2** Ch 3 (counts as dc), turn; dc BL in each st across.

**Row 3** Ch 1, turn; sc FL in each st across.

**Row 4** Repeat Row 2.

**Rows 5–14** Repeat last 2 rows 5 times. Resulting gauge swatch should measure approx 4 x 4.75"/10 x 12cm. If necessary, adjust hook size to obtain correct gauge.

### NOTES

**1** Yoke is worked from the neck down to underarm. At the underarm, sts are skipped to form armholes, and the body is worked from underarms down to lower edge.

**2** Markers are used to indicate increase locations for shaping the yoke.

**3** Jacket can be made with or without sleeves, and closed with a ribbon tie or with buttons. Sleeves are worked directly into the armholes, down to the wrist edge.

**4** One front of jacket is wider than the other front, creating an asymmetrical front opening.

### JACKET

#### Yoke

Ch 52.

**Row 1 (RS)** Dc in fourth ch from hook (beginning ch counts as first dc), dc in next 5 ch, 3 dc in next ch, place a marker in the center dc of the 3-dc group just made (for front), dc in next 5 ch, 3 dc in next ch, place a marker in the center dc of the 3-dc group just made (for sleeve) dc in next 14 ch, 3 dc in next ch, place a marker in the center dc of the 3-dc group just made (for back), dc in next 5 ch, 3 dc in next ch, place a marker in the center dc of the 3-dc group just made (for other sleeve), dc in last 15 ch (for other front)—58 dc.

**Row 2** Ch 1, turn; [sc FL in each st to next

marked st, 3 sc FL in marked st, move marker to center st of 3-sc group just made] 4 times, sc FL in each st across—66 sts.

**Row 3** Ch 3 (counts as first dc here and throughout), turn; [dc BL in each st to next marked st, 3 dc BL in marked st, move marker to center st of 3-dc group just made] 4 times, dc BL in each st across—74 sts.

**Rows 4–9 (11)** Repeat last 2 rows 3 (4) times—122 (138) sts.

#### Form Armholes

**Row 10 (12)** Ch 1, turn; sc FL in each st to first marked st, sc FL in marked st, ch 7, sk all sts across to next marked st (for Armhole), sc FL in marked st, sc FL in each st to next marked st, sc FL in marked st, ch 7, sk all sts across to last marked st (for Armhole), sc FL in marked st, sc FL in each st across—76 (84) sts and 2 ch-7 armhole sps.

#### Body

Work Row 11 (13) in each st and ch of Row 10 (12). Do not work into the skipped sts of Row 9 (11).

**Row 11 (13)** (RS) Ch 3, turn; 4 dc in next st (half fan made), sk next 3 (2) sts, sc in next st, \*sk next 3 (2) sts, 9 dc in next st (fan made), sk next 3 (2) sts, sc in next st; repeat from \* across to last 4 (3) sts, sk next 3 (2) sts, 5 dc in last st (half fan made)—10 (15) fans and one half fan at each end.

**Row 12 (14)** Ch 1, turn; sc in first dc, \*ch 2, sk next 4 dc, (dc, ch 2, dc) in next sc, ch 2, sk next 4 dc, sc in next dc; repeat from \* across—11 (16) (dc, ch 2, dc) groups.

**Row 13 (15)** Ch 1, turn; sc in first sc, \*sk next ch-2 sp, 9 dc in next ch-2 sp, sk next ch-2 sp, sc in next sc; repeat from \* across—11 (16) fans.

**Row 14 (16)** Ch 4 (counts as dc, ch 1), turn; dc in first st, ch 2, sk next 4 dc, sc in next dc, \*ch 2, sk next 4 dc, (dc, ch 2, dc) in next sc, ch 2, sk next 4 dc, sc in next dc; repeat from \* across to last 4 dc, ch 2, sk last 4 dc, (dc, ch 1, dc) in last sc.



*Make just  
one piece or  
the whole set  
for the perfect  
shower gift.*





**Row 15 (17)** Ch 3, turn; 4 dc in first ch-sp, sk next ch-2 sp, sc in next sc, \*sk next ch-2 sp, 9 dc in next ch-2 sp, sk next ch-2 sp, sc in next sc; repeat from \* across to last ch-2 sp, sk last ch-2 sp, 4 dc in next ch-1 sp, dc in 3rd ch of beginning ch.

**Rows 16 (18)–23 (29)** Repeat last 4 rows 2 (3) times.

**Rows 24 (30) and 25 (31)** Repeat Rows 12 (14) and 13 (15).

Do not fasten off.

### Edging

**Row 1 (RS)** Ch 1, do not turn; working in ends of rows across side edge, work sc evenly spaced up edge, around neck edge, and down other side edge.

**Row 2** Ch 1, do not turn; working in opposite direction, sk first sc, rev sc in each sc across edging.

Fasten off.

### SLEEVE

(Make 2—optional)

Work Round 1 in each of the ch-7 armhole chains and the skipped sts of Row 9, working over a total of 30 (34) sts around each Armhole.

**Round 1** With RS facing and beginning across opposite side of one of the armhole chains, join yarn with sc in first ch closest to back of jacket, sk next 2 ch, 9 dc in next ch, sk next 2 ch, sc in last ch of Armhole; working over skipped sts of Row 9 (11), sk next 2 (3) sts, 9 dc in next st, sk next 2 (3) sts, [sc in next st, sk next 2 sts, 9 dc in next st, sk next 2 sts] 2 times, sc in next st, sk next 2 (3) sts, 9 dc in next st, sk last 2 (3) sts; join with sl st in first sc—5 fans.

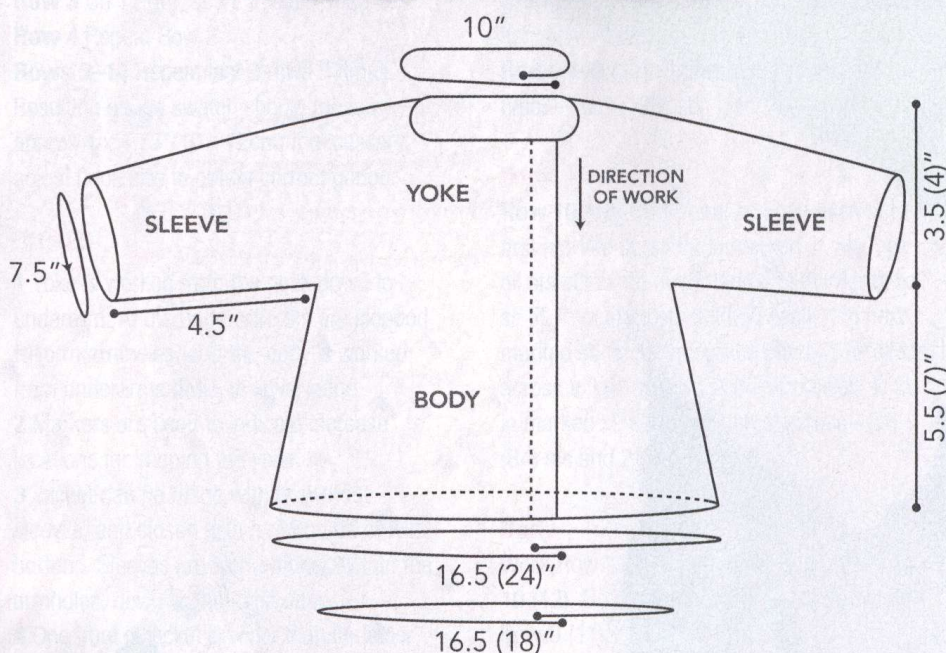
**Round 2** Ch 5 (counts as dc, ch 2), dc in same st as join, ch 2, sk next 4 dc, sc in next dc, \*ch 2, sk next 4 dc, (dc, ch 2, dc) in next sc, ch 2, sk next 4 dc, sc in next dc; repeat from \* around to last 4 dc, ch 2, sk last 4 dc; join with sl st in 3rd ch of beginning ch.

**Round 3** (Sl st, ch 3, 4 dc) in first ch-sp, sk next ch-2 sp, sc in next sc, \*sk next ch-2 sp, 9 dc in next ch-2 sp, sk next ch-2 sp, sc in next sc; repeat from \* around to last ch-2 sp, sk last ch-2 sp, 4 dc in first ch-sp again; join with sl st in top of beginning ch.

**Round 4** Ch 1, sc in same st as join, ch 2, sk next 4 dc, (dc, ch 2, dc) in next sc, \*ch 2, sk next 4 dc, sc in next dc, ch 2, sk next 4 dc, (dc, ch 2, dc) in next sc; repeat from \* around to last 4 dc,



Jacket



ch 2, sk last 4 dc; join with sl st in first sc.

**Round 5** Ch 1, sc in same st as join, sk next ch-2 sp, 9 dc in next ch-2 sp, \*sk next ch-2 sp, sc in next sc, sk next ch-2 sp, 9 dc in next ch-2 sp; repeat from \* around to last ch-2 sp; join with sl st in first sc.

**Rounds 6–13** Repeat last 4 rounds 2 times.  
Fasten off.

### FINISHING

#### Ribbon Tie

Thread ribbon in and out through sts of last dc row before Armholes are formed. Tie ends of ribbon in a bow at front.

#### Button Closure

Sew 3 buttons evenly spaced across left

front edge of top solid section. Use spaces between stitches of right front for buttonholes. Weave in ends.

### HAT

Ch 6; join with sl st in first ch to form ring.

**Round 1** Ch 3 (counts as first dc here and throughout), work 17 dc in ring; join with sl st in top of beginning ch—18 dc.

**Round 2** Ch 1, sc in same st as join, 3 dc in next dc, [sc in next dc, 3 dc in next dc] 8 times—36 sts.

**Round 3** Ch 4 (counts as dc, ch 1), dc in same st as join, ch 1, sk next dc, sc in next dc, \*ch 1, sk next dc, (dc, ch 2, dc) in next sc, ch 1, sk next dc, sc in next dc repeat from \* around to last dc, ch 1, sk last dc; join with sl st in third ch of beginning ch—9 (dc, ch 2, dc) groups.



**Round 4** (Sl st, ch 3, 2 dc) in first ch-sp, sk next ch-1 sp, sc in next sc, \*sk next ch-1 sp, 5 dc in next ch-2 sp, sk next ch-1 sp, sc in next sc; repeat from \* around to last ch-1 sp, sk last ch-1 sp, 2 dc in first ch-sp again; join with sl st in top of beginning ch—9 5-dc groups.

**Round 5** Ch 1, sc in same st as join, ch 1, sk next 2 dc, (dc, ch 2, dc) in next sc, \*ch 1, sk next 2 dc, sc in next dc, ch 1, sk next 2 dc, (dc, ch 2, dc) in next sc; repeat from \* around to last 2 dc, ch 1, sk last 2 dc; join with sl st in first sc.

**Round 6** Ch 1, sc in same st as join, sk next ch-1 sp, 7 dc in next ch-2 sp, \*sk next ch-1 sp, sc in next sc, sk next ch-1 sp, 7 dc in next ch-2 sp; repeat from \* around to last ch-1 sp, sk last ch-1 sp; join with sl st in first sc—9 (7-dc) groups.

**Round 7** Ch 5 (counts as dc, ch 2), dc in same st as join, ch 2, sk next 3 dc, sc in next dc, \*ch 2, sk next 3 dc, (dc, ch 2, dc) in next sc, ch 2, sk next 3 dc, sc in next dc; repeat from \* around to last 3 dc, ch 2, sk last 3 dc; join with sl st in third ch of beginning ch.

**Round 8** (Sl st, ch 3, 4 dc) in first ch-sp, sk next ch-2 sp, sc in next sc, \*sk next ch-2 sp, 9 dc in next ch-2 sp, sk next ch-2 sp, sc in next sc; repeat from \* around to last ch-2 sp, sk last ch-2 sp, 4 dc in first ch-sp again; join with sl st in top of beginning ch—9 (9-dc) fans.

**Round 9** Ch 1, sc in same st as join, ch 2, sk next 4 dc, (dc, ch 2, dc) in next sc, \*ch 2, sk next 4 dc, sc in next dc, ch 2, sk next 4 dc, (dc, ch 2, dc) in next sc; repeat from \* around to last 4 dc, ch 2, sk last 4 dc; join with sl st in first sc.

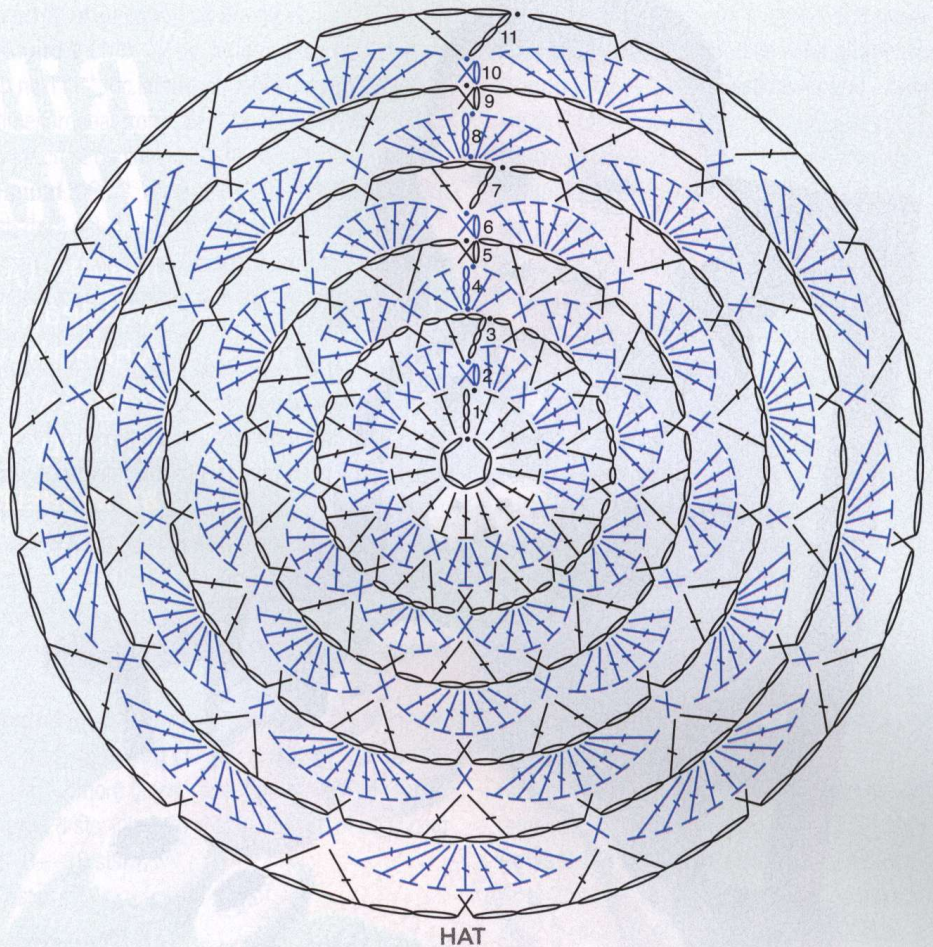
**Round 10** Ch 1, sc in same st as join, sk next ch-2 sp, 9 dc in next ch-2 sp, \*sk next ch-2 sp, sc in next sc, sk next ch-2 sp, 9 dc in next ch-2 sp; repeat from \* around to last ch-2 sp, sk last ch-2 sp; join with sl st in first sc.

**Round 11** Ch 5 (counts as dc, ch 2), dc in same st as join, ch 2, sk next 4 dc, sc in next dc, \*ch 2, sk next 4 dc, (dc, ch 2, dc) in next sc, ch 2, sk next 4 dc, sc in next dc; repeat from \* around to last 4 dc, ch 2, sk last 4 dc; join with sl st in third ch of beginning ch.

**Rounds 12–15** Repeat Rounds 8–11

**Rounds 16–18** Repeat Rounds 8–10.

Fasten off and weave in ends. 🌞



### Tip

Babies tend to grow taller rather than wider, so for bigger sizes, check the baby's measurements and work additional rounds of the 9-dc fan pattern.

